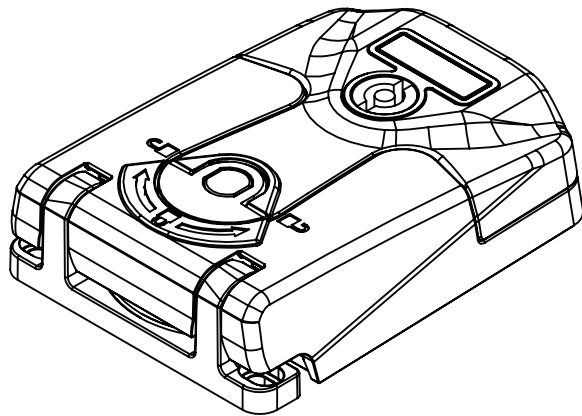
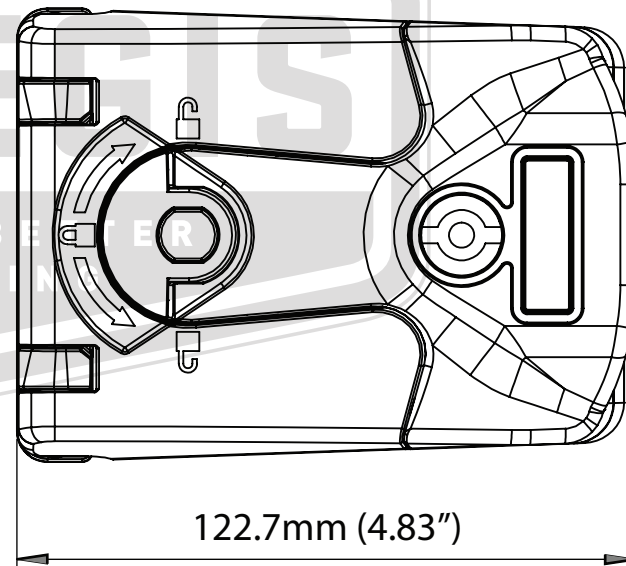
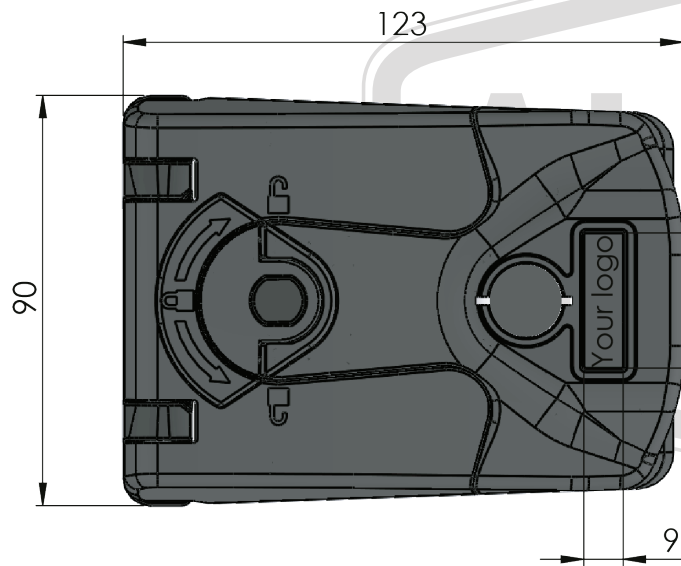
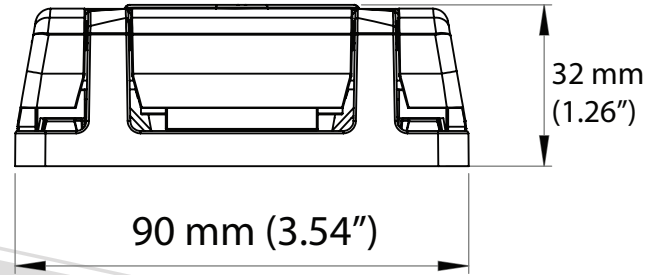
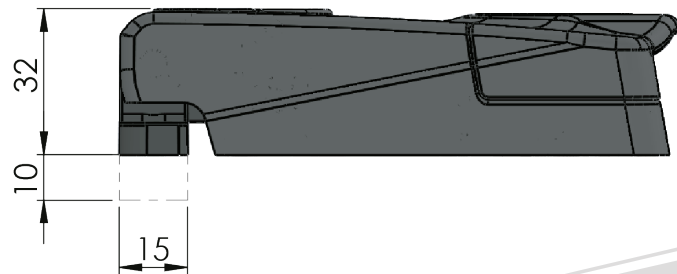


Recessed Hexagon 10



www.allegiscorp.com 1-866-378-7550		MATERIAL / FINISH: Black PA6 Glass Reinforced Nylon	
REV.:	DATE:	DESCRIPTION:	DRAWING NO.:
1:1	1.20.2020	Hinge-Latch 2.0	2651-440035-00